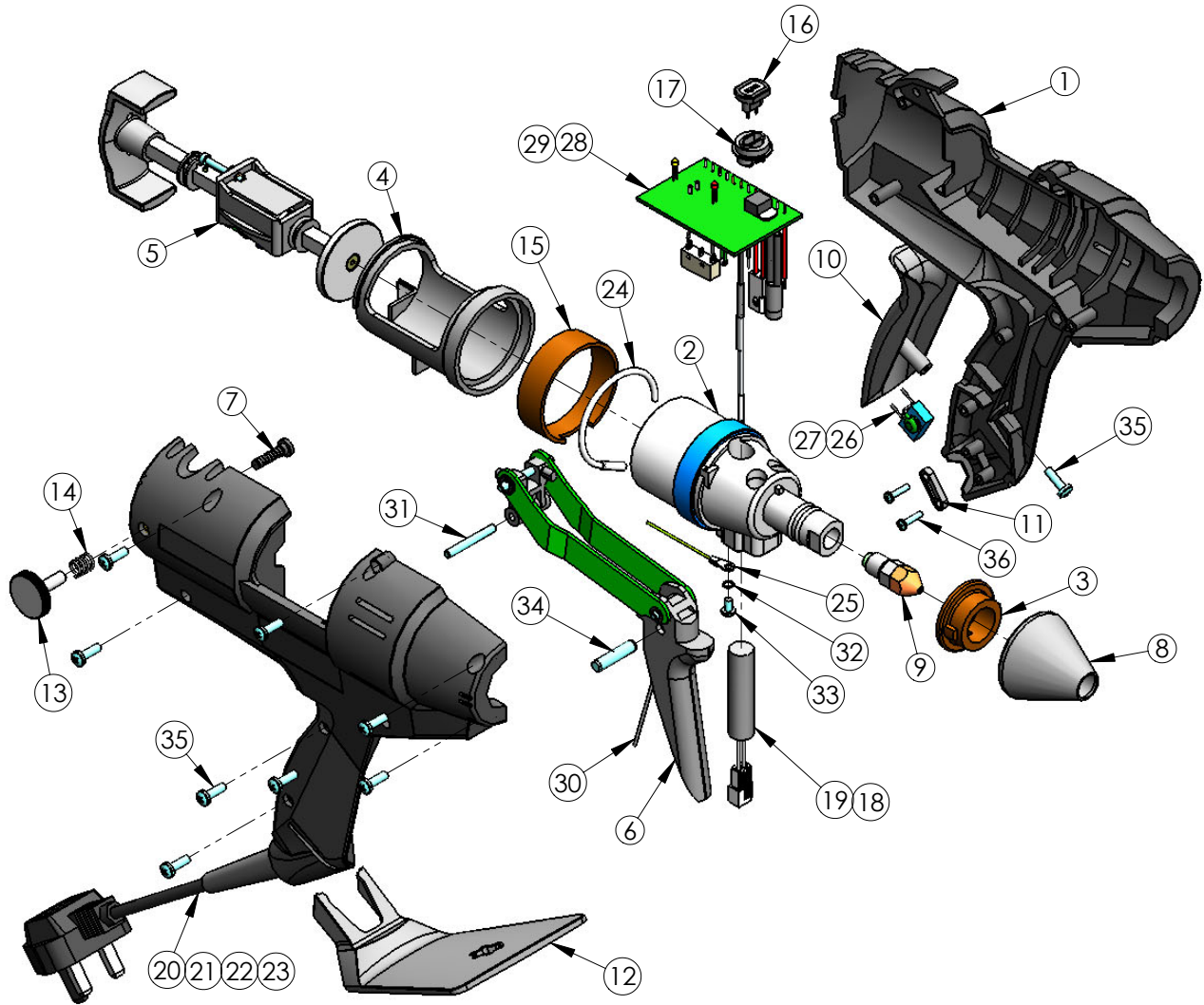


ITEM NO.	PART NUMBER	Revision	DESCRIPTION	QTY.
1	PA3077	REL-01	3200 Handles (Pair)	1
2	PA3089	REL-02	Heater Housing Barrel Assy.	1
3	PA3040	REL-01	Heater Housing Spacer	1
4	PA3035	REL-01	Rear Barrel	1
5	PA3084	REL-02	Feed Bar/Mech Assy. - 3200	1
6	PA3082	REL-01	Feed Link/Trigger Assy.	1
7	PA3083	REL-01	Snubber Assy.	1
8	PA3041	REL-01	Nozzle Shroud	1
9	ANZ016	REL-01	Nozzle Body Assy.	1
10	PA3002	REL-01	Handle Grip	1
11	PA3036	REL-01	Cord Clamp	1
12	PA3042	REL-01	Stand	1
13	FSZ004	REL-01	Thumb Screw M6 - 20	1
14	FPD005	REL-01	Compression Spring	1
15	PA3044	REL-01	Barrel Support	1
16	PA3026	REL-01	Plug-In Module 195C	1
17	PA3022	REL-01	Module Carrier	1
18	PA3086	REL-01	Heater Assy. 120V	1
19	PA3087	REL-01	Heater Assy. 230V	1
20	PA6066	REL-01	UK Cordset Assy. 3 Core 3m	1
21	PA6065	REL-01	Euro Cordset Assy. 3 Core 3m	1
22	PA6067	REL-01	110V UK Cordset Assy. 3 Core 3m	1
23	PA8022	REL-01	USA Cordset Assy. 3 Core 3m	1
24	APD001	REL-01	PTC Sensor Assy.	1
25	PA3043	REL-01	Earth Wire Assy.	1
26	PA3080	REL-01	Capacitor/VDR Assy. 240V	1
27	PA3081	REL-01	Capacitor/VDR Assy. 120V	1
28	PA3078	REL-01	Temp Control Assy - 220/240V	1
29	PA3100	REL-01	Temp Control Assy - 110V	1
30	PA3057	REL-01	Trigger Spring	1
31	PA3017		Dowel Pin - 4 Dia x 32 Lg.	1
32	PA1042		4BA Spring Washer	1
33	PA1032		Screw 4BA x 1/4" Pozi Pan	1
34	PA3062		Dowel Pin - 6 Dia x 26 Lg.	1
35	PA3045		4 x 12mm Pan Head Screw	9
36	PA1531		Screw #4 x 1/2"	2



THIS DRAWING AND THE INFORMATION IT CONTAINS IS THE PROPERTY OF POWER ADHESIVES AND IS CONFIDENTIAL. IT MUST NOT BE REPRODUCED EITHER WHOLLY OR IN PART. ALL RIGHTS IN RESPECT OF PATENTS, DESIGNS AND COPYRIGHTS ARE RESERVED.

MATERIAL	N/A	DRAWN	Steve	DIMENSIONS ARE IN MM UNLESS OTHERWISE STATED	TOLERANCES UNLESS OTHERWISE STATED WHOLE NUMBERS ±0.5mm 1 DECIMAL PLACE ±0.3mm 2 DECIMAL PLACE ±0.1mm	SCALE 1:10 SHEET 1 OF 1
FINISH	N/A	DATE	14/10/03			
COLOUR	N/A	ECN No.		THIRD ANGLE		
NOTES				TITLE		
From Serial Number 40606 -				Tec 3200		
				DWG. No.		REVISION
				A3		Tec 3200 REL-02